



SBC58BFRTPCFADALHD



32" x 23.63" x 27.38" (H x W x D)

24" wide commercially approved ADA-compliant front tap cold brew coffee dispenser for built-in or freestanding use

Highlights:

Sized at 32 inches high for installation under lower ADA-compliant counters

24" wide front tap kegerator includes all the equipment needed to serve cold brew coffee

Innovative front tap system requires no countertop modification

Product Features:

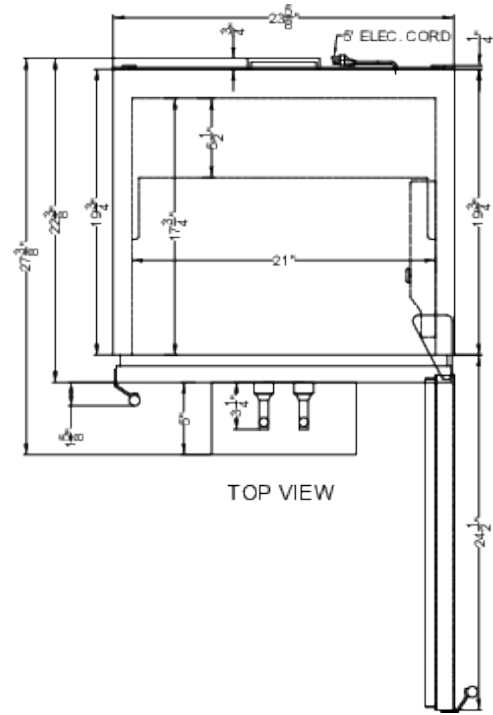
| | |
|-----------------------------------------------|---------------------------------------------------------------------------------------------------------------------------------------------|
| 24" Wide Front-Tap Cold Brew Coffee Dispenser | Kegerator includes front taps accessed via the door and includes all of the equipment needed to serve cold brew coffee from two sixtel kegs |
| Commitment-free front-taps | Unique design requires no alterations to your countertop, freeing up valuable countertop space |
| Dual tap system | Twin draft tower allows you to serve from two 1/6 (sixel) sized kegs |
| Built-In capable | Designed for installation under the counter |
| Accessible design | Taps are located on the front of the door, requiring no added reach |
| ADA-compliant height | Sized at 32 inches high for installation under lower ADA-compliant counters |
| Commercially listed | ETL-S listed to ANSI-NSF Standard 7 for commercial use |
| Versatile use | Approved for both residential and commercial settings |
| Complete cold brew coffee tap kit included | Includes a 5 lb. nitrogen tank and regulator, dual tap draft arm, Sankey American tap, and the needed connection hardware. |



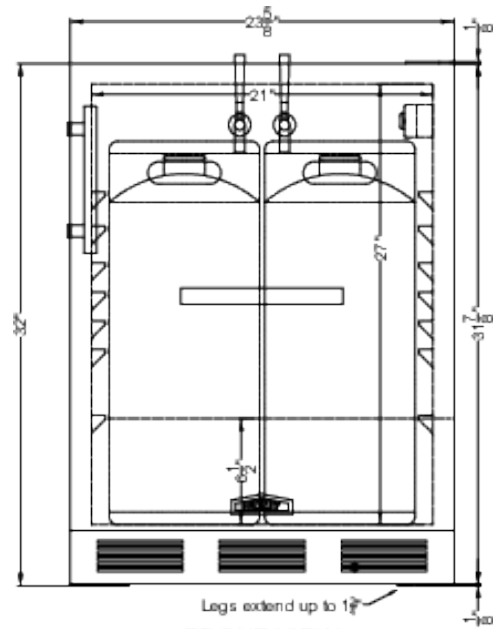
SBC58BFRTPCFADALHD Specifications:

Overview

| | |
|----------------------------|--------------------|
| Height of Cabinet | 31.88" (81 cm) |
| Height to Hinge Cap | 32.0" (81 cm) |
| Width | 23.63" (60 cm) |
| Depth | 27.38" (70 cm) |
| Depth with door at 90° | 51.88" (132 cm) |
| Capacity | 5.3 cu.ft. (150 L) |
| Defrost Type | Automatic |
| Door | Black |
| Cabinet | Black |
| US Electrical Safety | ETL |
| Canadian Electrical Safety | ETL-C |
| Sanitation | ETL-S |
| Energy Usage/Year | 293.0kWh/year |
| Amps | 0.8 |
| Voltage/Frequency | 115 V AC/60 Hz |
| Parts & Labor Warranty | 1 Year |
| Compressor Warranty | 5 Years |
| UPC | 761101145501 |
| Kegeerator | |
| Door Swing | LHD |
| Tap Kit | Yes |
| Number of Taps | 2 |
| Thermostat Type | Dial |
| Interior Light | Yes |
| Refrigerant | R600a |
| Refrigerant Amount | 0.64 oz. |
| Inter Height | 27.75" (70 cm) |
| Interior Width | 21.0" (53 cm) |
| Interior Depth | 18.0" (46 cm) |
| Compressor Step Height | 5.5" (14 cm) |
| Compressor Step Width | 21.0" (53 cm) |
| Compressor Step Depth | 6.0" (15 cm) |
| Level Legs Qty | 4 |
| Temperature Range | 36 to 46°F |



TOP VIEW



FRONT VIEW